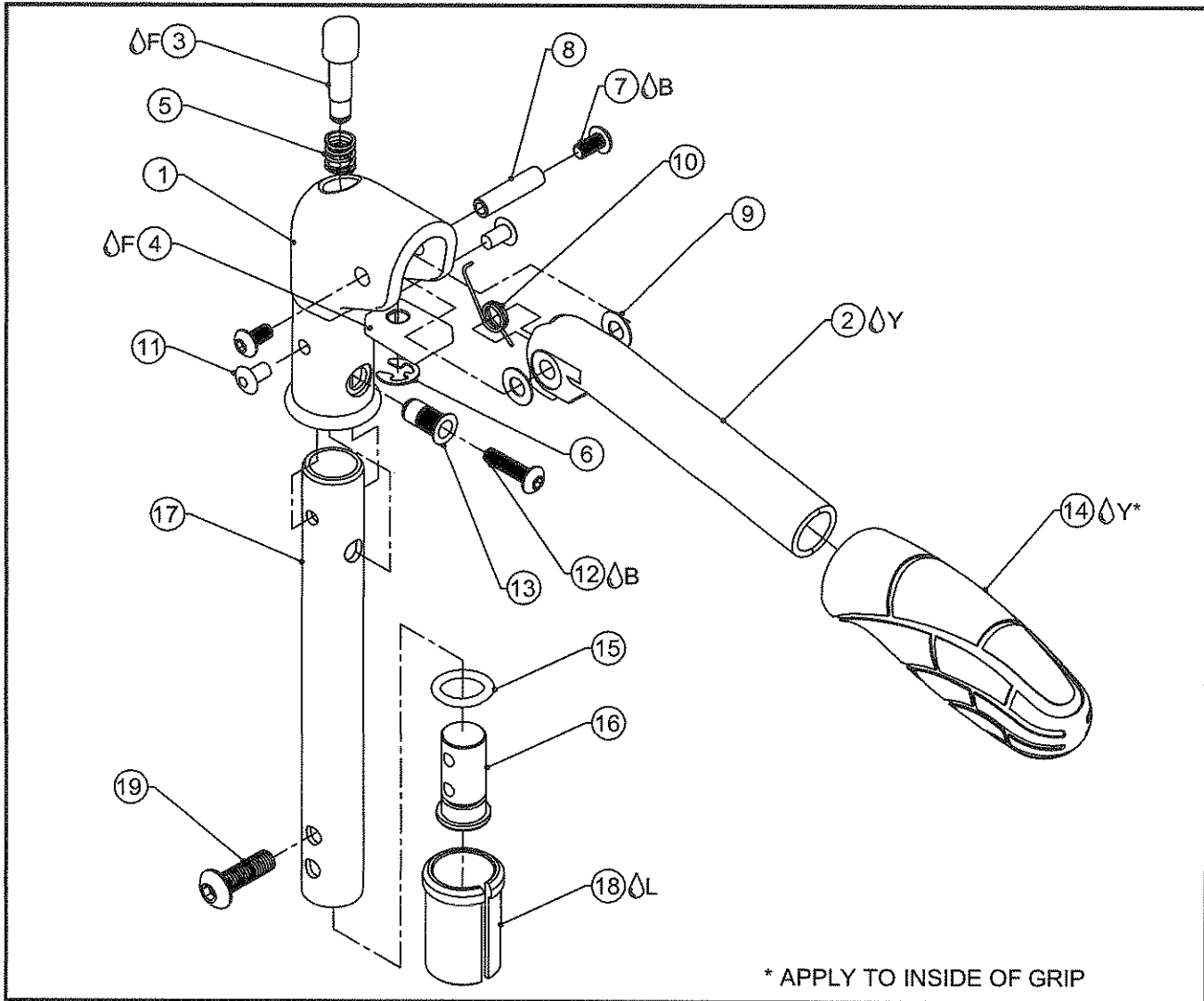


FOLD DOWN PUSH HANDLES

TiLite™ ZR, ZRA, TRA, TX, XC, EVO, AERO Z, AERO R, YG, YGS, TR (SERIES 2), YR (SERIES 2), ZRA (SERIES 2), ZR (SERIES 2), AERO Z (SERIES 2), TWIST, TR (SERIES 3), AERO T, TRA (SERIES 2)



ITEM	QUANTITY	PART NO.	DESCRIPTION
1	1	CP102787	DIE CAST FOLDING PUSH HANDLE MOUNT
2 ^Y	1	CP102786	DIE CAST FOLDING PUSH HANDLE
3 ^F	1	CP103101	FOLD DOWN PUSH HANDLE RELEASE PIN
4 ^F	1	CP103095	FOLD DOWN PUSH HANDLE LATCH
5	1	HD100241	SPRING .375 OD X .303 ID X .630
6	1	HD100451	E-RING 1/4"
7 ^B	2	HD100456	10-32 X .375" BUTTON HEAD CAP SCREW, BLACK ZINC PLATED
8	1	HD100424	STANDOFF 1/4" X 1" X 10-32 THREAD, STEEL, ZINC PLATE
9	2	HD100496	WASHER NYLON .251 ID X .500 OD X .020 THICK
10	1	CP103094	SPRING FOR PUSH HANDLE
11	2	HD100455	3/16" Q RIVET 1/4" GRIP, STEEL, ZINC PLATE
12 ^B	1	HD100071	10-32 X 3/4" BUTTON HEAD CAP SCREW, CLEAR ZINC PLATED
13	1	HD100154	RIVNUT, 10-32 X .130 - .225 GRIP RANGE
14 ^Y	1	CP102565	TiLite™ PUSH HANDLE GRIP
15	1	HD100043	O-RING 1/2 I.D. X 5/8 O.D. BUNA-N TRADE SIZE: #014
16	1	CP100108	BACKREST TUBE EXTENSION PLUG
17	1	CP103131	EXTENSION TUBE FOR FOLD DOWN PUSH HANDLE
18A ^L	1	CP100107	SLEEVE, 1.00" X .036 TO Ø.75"
18B ^L	1	CP101059	SLEEVE, 1.00" X .083 TO Ø.75"
18C ^L	1	CP100934	SLEEVE, 1.00" X .051 TO Ø.75"
19A	1	HD100704	1/4-20 X 1" BUTTON HEAD CAP SCREW, BLACK W/ THREAD PATCH
19B	1	HD100705	1/4-20 X 5/8" BUTTON HEAD CAP SCREW, BLACK W/ THREAD PATCH
15-17		AS111105	EXTENSION ASSY FOR FOLDING PUSH

*AS115918-I PUSH HANDLE GRIP REPLACEMENT KIT FOR ROUND TUBE, PAIR
ASSEMBLIES ON NEXT PAGE



FOLD DOWN PUSH HANDLES (CONT.)

TiLite™ ZR, ZRA, TRA, TX, XC, EVO, AERO Z, AERO R, YG, YGS, TR (SERIES 2), YR (SERIES 2), ZRA (SERIES 2), ZR (SERIES 2), AERO Z (SERIES 2), TWIST, TR (SERIES 3), AERO T, TRA (SERIES 2)

ITEM	QUANTITY	PART NO.	DESCRIPTION
1-18A,19A		SEE TABLE	FOLD DOWN PUSH HANDLE EXTENSION ASSY (.036 MED BACK)
1-18A,19B		SEE TABLE	FOLD DOWN PUSH HANDLE EXTENSION ASSY (.036 SHORT BACK)
1-18B,19A		SEE TABLE	FOLD DOWN PUSH HANDLE EXTENSION ASSY (.083 MED/TALL BACK)
1-18B,19B		SEE TABLE	FOLD DOWN PUSH HANDLE EXTENSION ASSY (.083 SHORT BACK)
1-18C,19A		SEE TABLE	FOLD DOWN PUSH HANDLE EXTENSION ASSY (.051 MED/TALL BACK)
1-18C,19B		SEE TABLE	FOLD DOWN PUSH HANDLE EXTENSION ASSY (.051 SHORT BACK)
1-17,19A		SEE TABLE	FOLD DOWN PUSH HANDLE EXTENSION ASSY (.125 MED/TALL)

TR, TRC, TRA, YG, YGS, EVO WITH ALUMINUM BACKRESTS

BACKREST ADJ. HEIGHT 9½"-13"	BACKREST ADJ. HEIGHT 13½"-18"	BACKREST ADJ. HEIGHT 17½"-20"	CHAIR WIDTH
AS103688	AS103687	AS103687	12"-20"

ZR, ZRA, TR (SERIES 2), YR (SERIES 2), AERO Z, AERO R WITH ALUMINUM BACKRESTS

BACKREST ADJ. HEIGHT 10"-13½"	BACKREST ADJ. HEIGHT 14"-18½"	BACKREST ADJ. HEIGHT 18"-20½"	CHAIR WIDTH
AS103688	AS103687	AS103687	12"-20"

ZRA (SERIES 2), ZR (SERIES 2), AERO Z (SERIES 2), TR (SERIES 3), AERO T, TRA (SERIES 2) WITH ALUMINUM BACKRESTS

BACKREST ADJ. HEIGHT 13"-15½"	BACKREST ADJ. HEIGHT 14½"-19"	BACKREST ADJ. HEIGHT 18½"-21"	CHAIR WIDTH
AS103688	AS103687	AS103687	12"-20"

TWIST WITH ALUMINUM BACKRESTS

BACKREST ADJ. HEIGHT 13"-15½"	BACKREST ADJ. HEIGHT 14½"-19"	BACKREST ADJ. HEIGHT 18½"-21"	CHAIR WIDTH
AS103688	AS103687	AS103687	8"-20"

TR, TRC, TRA, YG, YGS, EVO WITH TITANIUM BACKRESTS

BACKREST ADJ. HEIGHT 9½"-13"	BACKREST ADJ. HEIGHT 13½"-18"	BACKREST ADJ. HEIGHT 17½"-20"	CHAIR WIDTH
AS103686	AS103685	AS103689	12"-18"
AS103690	AS103689	AS103689	19"-20"

ZR, ZRA, TR (SERIES 2), YR (SERIES 2), AERO Z, AERO R WITH TITANIUM BACKRESTS

BACKREST ADJ. HEIGHT 10"-13½"	BACKREST ADJ. HEIGHT 14"-18½"	BACKREST ADJ. HEIGHT 18"-20½"	CHAIR WIDTH
AS103686	AS103685	AS103689	12"-18"
AS103690	AS103689	AS103689	19"-20"

TR, TRC, TRA, YG, YGS, EVO WITH REINFORCED TITANIUM BACKRESTS

BACKREST ADJ. HEIGHT 9½"-13"	BACKREST ADJ. HEIGHT 13½"-18"	BACKREST ADJ. HEIGHT 17½"-20"	CHAIR WIDTH
AS103690	AS103689	AS103689	12"-20"

ZR, ZRA, TR (SERIES 2), YR (SERIES 2), AERO Z, AERO R WITH REINFORCED TITANIUM BACKRESTS

BACKREST ADJ. HEIGHT 10"-13½"	BACKREST ADJ. HEIGHT 14"-18½"	BACKREST ADJ. HEIGHT 18"-20½"	CHAIR WIDTH
AS103690	AS103689	AS103689	12"-20"

ZR (SERIES 2), ZRA (SERIES 2), AERO Z (SERIES 2), TR (SERIES 3), AERO T, TRA (SERIES 2) WITH REINFORCED TITANIUM BACKRESTS

BACKREST ADJ. HEIGHT 13"-15½"	BACKREST ADJ. HEIGHT 14½"-19"	BACKREST ADJ. HEIGHT 18½"-21"	CHAIR WIDTH
AS103690	AS103689	AS103689	12"-20"

ZR (SERIES 2), ZRA (SERIES 2), AERO Z (SERIES 2), TR (SERIES 3), AERO T, TRA (SERIES 2) WITH HEAVY DUTY ALUMINUM BACKRESTS

BACKREST ADJ. HEIGHT 13"-15½"	BACKREST ADJ. HEIGHT 14½"-19"	BACKREST ADJ. HEIGHT 18½"-21"	CHAIR WIDTH
NONE	AS117080	AS117080	16"-20"

ADDITIONAL ASSEMBLIES ON NEXT PAGE



FOLD DOWN PUSH HANDLES (CONT.)

TiLite™ ZR, ZRA, TRA, TX, XC, EVO, AERO Z, AERO R, YG, YGS, TR (SERIES 2), YR (SERIES 2), ZRA (SERIES 2), ZR (SERIES 2), AERO Z (SERIES 2), TWIST, TR (SERIES 3), AERO T, TRA (SERIES 2)

TX, XC WITH STANDARD FRAMES

BACKREST ADJ. HEIGHT 13½"-18"	BACKREST ADJ. HEIGHT 15½"-20"	CHAIR WIDTH
AS103685	AS103685	12"-20"

TX, XC WITH REINFORCED FRAMES

BACKREST ADJ. HEIGHT 13½"-18"	BACKREST ADJ. HEIGHT 15½"-20"	CHAIR WIDTH
AS103689	AS103689	12"-20"

